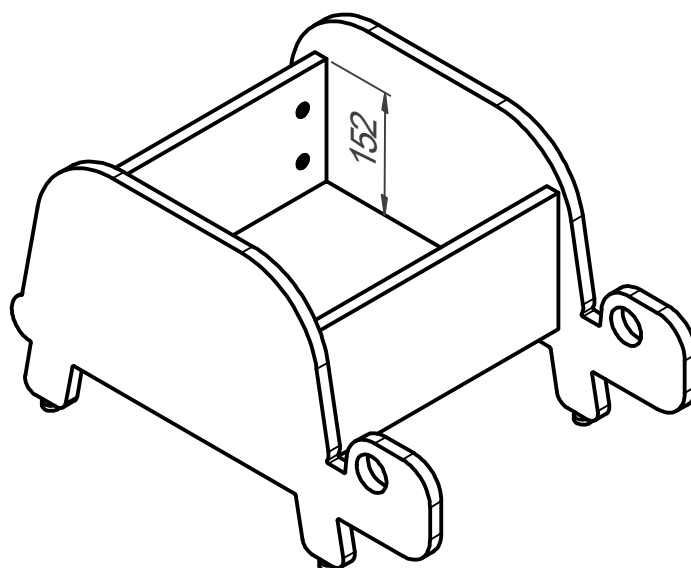
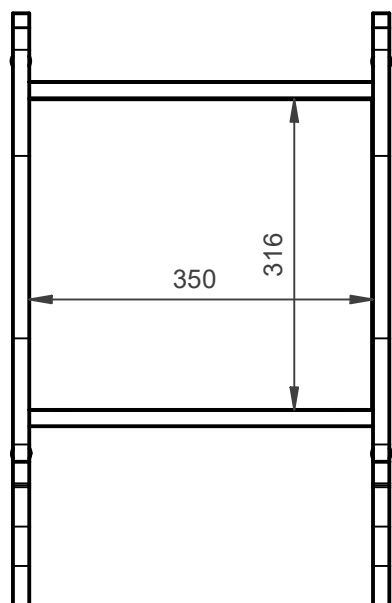
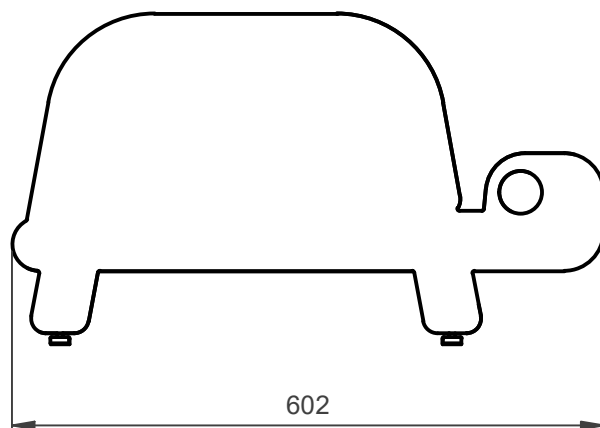
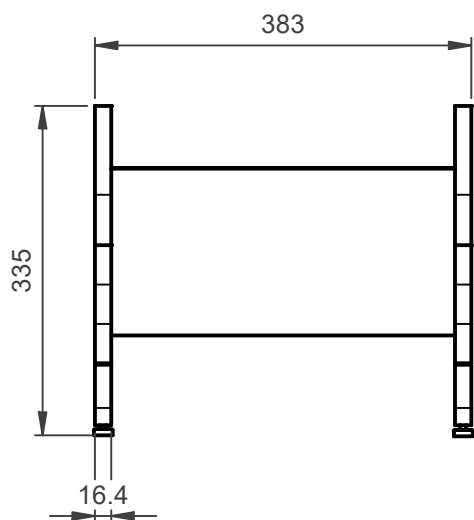


# Ture



All measurements are in mm.